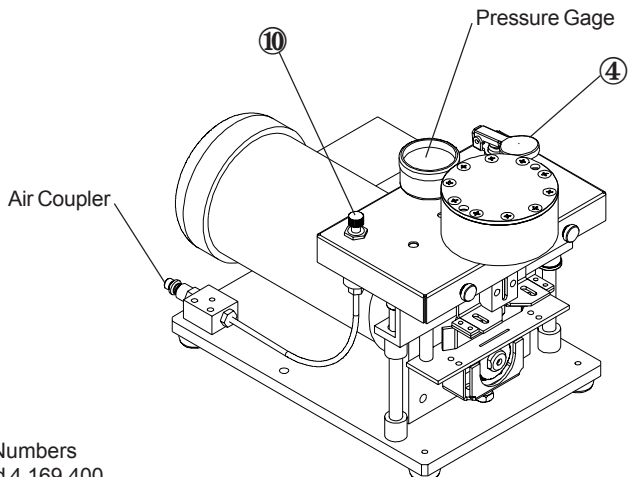
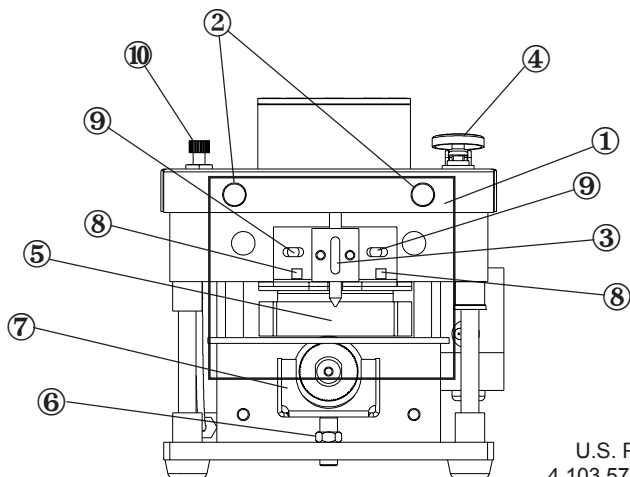




# Instruction Sheet

## THE "ROTOMATIC" 202C

### 3/4" to 1-1/4" GREENFIELD AND BX CABLE CUTTER



U.S. Pat. Numbers  
4,103,578 and 4,169,400

**RM-202C** cuts 3/4" to 1-1/4" Flex and strips MC cables. The appropriate clamping pin must be used when switching between 3/4", 1", and 1-1/4" Flex. Use **SP-282** pin for 3/4" and 1" Flex and pin **SP-233** for 1-1/4" Flex.

#### HOW TO CUT MC CABLE & FLEX WITH THE ROTOMATIC 202C:

Carefully unpack and install the safety shield ① using two provided red thumbscrews ②. Connect the provided air coupling to an air hose with a minimum pressure of 40PSI. Connect the line cord to a 115 VAC grounded outlet. Adjust the air regulator knob ⑩ on top of the Rotomatic to set pressure on the dial between 25 to 30PSI. Push the toggle switch to the right to start motor. Place the armored cable in the cable guide and move it until the location to be cut just above the cutting wheel. Align the cable so that the clamping pin ③ will land in the cable groove.

Depress the button ④ to lower the clamping pin on top of the armored cable. Make sure that the cable is resting properly on the shelf and against the backstop ⑤. Keep depressing the button ④ until the blade has cut completely through the cable. Release to bring the guide and clamping pin back to their original positions. Remove the cable and untwist the casing to separate the armor. It is preferable to start with a shallow cut and make trial cuts until the casing separates easily. Adjust the depth of cut by turning the adjusting nut ⑥ under the blade guard/stop ⑦. Turning this nut clockwise raises the blade guard/stop for a more shallow cut while turning the nut counter clockwise increases the depth of cut.

This procedure should be repeated every time a different size cable is used to prevent possible nicking of the wire's insulation. For repetitive stripping work, a simple stop can be placed next to the machine.

*Please note that the air pressure sets the cutting speed of the Rotomatic. Adjust the air pressure until the most efficient speed is obtained.*

**ADJUSTING CABLE GUIDE:** The **Rotomatic** is equipped with an adjustable backstop ⑤ for different cable sizes. Loosen the two screws ⑧ and adjust the backstop either forward or backwards until the clamping pin is offset 1/16" past the center of the cable toward the operator. This ensures that the blade cuts in the middle of the cable. The cable guide can be moved laterally to compensate for varying cable pitches. Loosen the two screws ⑨ and adjust the position until the blade cuts through a complete cable convolution.

**MOVING CABLE GUIDE:** To cut 3/4" and 1" Flex the the cable guide needs to be lowered. Unscrew the two screws ⑨ using a 5/32" allen wrench and move to the lower position. To cut 1-1/4" Flex raise the channel guide back to the upper position.

**CHANGING PINS:** To cut 3/4" and 1" Flex use **SP-282** pin. Remove the two screws holding the cylinder to the top of the machine. Install the **SP-282** pin with spring and reattach. Lower the cable guide as described above. To cut 1-1/4" Flex install the **SP-233** pin, remember to raise the channel guide to the upper position.

**LUBRICATION:** The cutting action of this machine is very fast, usually under 5 sec. To prolong the life of the cutting blade and for continuous smooth cutting action, we recommend lubricating the blade with our dry lubricant stick, **Cat. LS-105**, as often as necessary. If your airline is not equipped with a lubricator, please inject a few drops of SAE-10 oil into the male coupler after disconnecting the hose. This will prolong the life of the pneumatic components.

**BLADE REPLACEMENT:** Use a 9/16" open-end wrench to hold the arbor blade-clamping washer. Using the 5/32" Allen wrench provided, remove the socket screw, washer and blade. Reassemble in reverse order making sure that the new blade has the arrow facing the operator. Retighten socket screw snugly. Replacement blade required for this machine is **Cat. B-108**. For stainless Flex and thin wall armored cables **B-103** fine tooth blades are available.

**LIMITED WARRANTY:** The **Rotomatic 202C** is warranted to be free from defects in workmanship and material for 90 days from date of original purchase. Should any part of this machine be defective during the first 90 days, it will be serviced or replaced free of charge except for cutting blade, freight charges and a handling fee of \$15.00. Prior to returning this equipment, please contact the factory.

*Collect shipments will not be accepted. We will not be responsible for damages incurred in transit. Claim must be filed with delivery carrier. After initial warranty has expired, repairs will be made at prevailing rate, FOB factory.*

*This warranty is void if this equipment has been damaged by accident or mishandling. THIS WARRANTY IS IN LIEU OF ALL OTHER WARRANTIES EXPRESS OR IMPLIED, except for repair or replacement parts. Seatek Co. Inc. assumes no liability for damage to replacement blade or other damage.*

**Warning: Do not operate without the plexiglass shield. The blade guard also functions as the depth of cut stop. Do not tamper with the function of this key component. When changing blade unplug the line cord. Maintenance must be performed by a qualified technician. The Rotomatic must be sent to Seatek for repair.**



**A SMALL COMPANY WITH BIG IDEAS®**

392 PACIFIC STREET, STAMFORD, CT 06902

PHONE: (203) 324-0067 ☆ FAX: (203) 324-7844 ☆ [www.SeatekCo.com](http://www.SeatekCo.com)

